

## PFA137

### Water-proof Junction Box



### Features

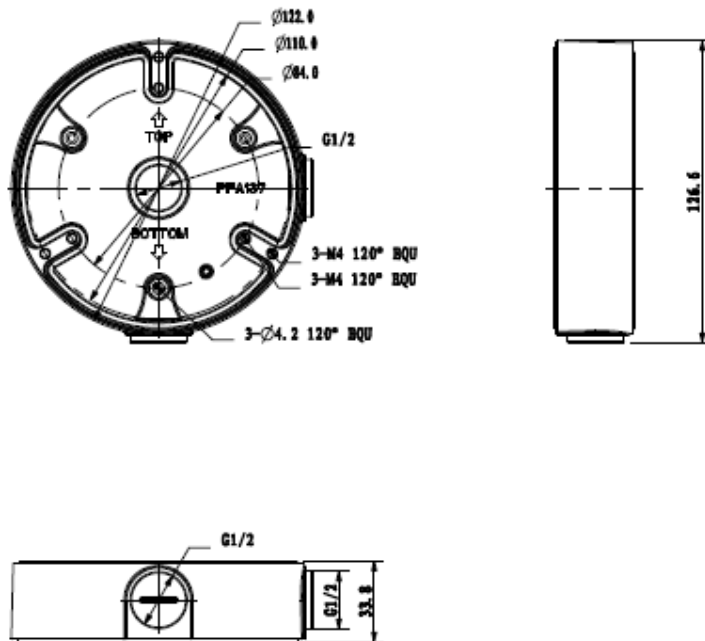
- Material: Aluminum
- Junction Box
- Neat & Integrated design

### Specifications

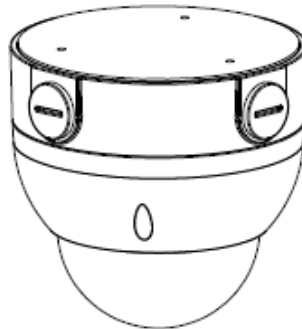
Model	PFA137
<b>General</b>	
Material	Aluminum
Dimension	φ122x32mm
Inch Thread	M20(G1/2")
Operating Temperature	-40°C ~60°C
Humidity	0~90% RH
Load Bearing	1.0Kg
Weight	210g
Color	White
Applicable Model	Please see "Accessory Selection"

# PFA137

## Dimensions (mm)



## Application



---

### Dahua Technology Co., Ltd.

1199 BinAn Road, Binjiang District, Hangzhou, China

Tel: +86-571-87688883

Fax: +86-571-87688815

Email: [overseas@dahuatech.com](mailto:overseas@dahuatech.com)

[www.dahuasecurity.com](http://www.dahuasecurity.com)

\*Design and specifications are subject to change without notice.

© 2014 Dahua Technology Co., Ltd.